

# Model SLF-200

## Ultrasonic Liquid Flow Meter

### Description

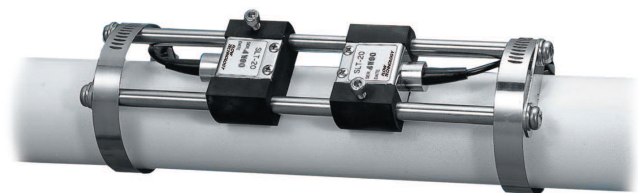
The Model SLF-200 Ultrasonic Liquid Flow Meter is an accurate, reliable and cost-effective clamp-on ultrasonic instrument capable of measuring flow through metal, plastic and various other pipe material without altering the piping. Typical applications include corrosive chemicals in the process industry, DI water and chemicals in the semiconductor market, fluids in the sanitary industry, or any installation when it is preferable not to have an instrument exposed to the process fluid. The SLF-200 was designed with the latest solid state technology providing the major economic benefit of many years of uninterrupted service.

Employing digital signal processing (DSP) techniques, the Model SLF-200 Ultrasonic Liquid Flow Meter provides outstanding accuracy and repeatability. The same meter can be used on line sizes from 1 to 6 inches without recalibration, and will cover a wide range of flow rates.

Installation and setup of the Model SLF-200 Ultrasonic Liquid Flow Meter is fast and easy. Integral to the display unit, the set-up software leads the installer through a series of questions related to pipe material and size, display configuration and desired outputs. This makes the initial installation or reconfiguration for different applications a straightforward process. The sensors are provided with a robust mounting fixture that allows adjustment of the sensor mounting position for optimum performance. Sensor separation distance is determined and displayed on the SLF-200 during the initial system setup. The meter was designed with no moving parts, thus reducing its cost of ownership and eliminating common maintenance requirements.

### Features

- No moving parts
- Low cost of ownership
- Easy installation with clamp-on sensor
- No cutting pipes
- No intrusion into the process line
- No pressure drop
- Increased energy savings
- Zero maintenance requirements
- No need for meter recalibration
- Wide rangeability with a single unit
- Fast response time



Model SLF-200  
Ultrasonic Liquid Flow Meter

### Specifications

#### Display/Converter

#### Measurement Method

Time difference calculation method of ultrasonic wave propagation

#### Accuracy

±1.5% RD (operating range 3.3 to 33 ft./sec.)

±1% FS (operating range below 3.3 ft./sec.)

#### Repeatability

±0.2%

#### Applicable Liquid

Clean liquids

#### Applicable Pipes

Nominal diameter: 1–6"

#### Material

PVC, stainless steel, steel cast iron, and others

#### Analog Output Range

Setting within 0–33 ft./sec.

#### Enclosure

Panel Mount IP50

#### Material

Glass fiber resin (Noril)

#### Installation

##### Temperature Range

32° to 122° F (0° to 50° C)

##### Power Supply

12–30 VDC

##### Power Consumption

2.5 watts or less

##### Installation

Panel mount



## Specifications (cont'd)

### Analog Output

Output Information	Instantaneous forward flow
Output Signal	4–20 mA
Load Resistance	450 ohm or less
Flow Rate Low Cut Off	0–10% (variable in 1% steps)

### Contact Output

Output Information	Selectable from accumulated pulse of forward flow, abnormal receiving waveform and upper/lower limit flow rate
--------------------	--

Output Signal Open collector no voltage

Rating 30 VDC @ 0.25A

Scaled Units Selectable from: 0.1, 1, 10, 100 Gal or Lit

Low Cut Off 0–10% in 1% steps

Approximately 1 lb.

### Weight

### Display

LCD Display 16 characters x 2 lines

Information Rate and total

Available Units GPH, GPM, LPH, LPM, FPM and FPS

### Sensor

Model SLT-20

Material 304SS and epoxy resin

Structure Clamp-on method

Installation V type

Operating Temperature -4° to 140° F (-20° to 60° C)

Cable Length 16.4 ft. (5 m)

Weight Approximately 1 lb.

Straight Run 10D upstream and 5D downstream minimum

### Model Number

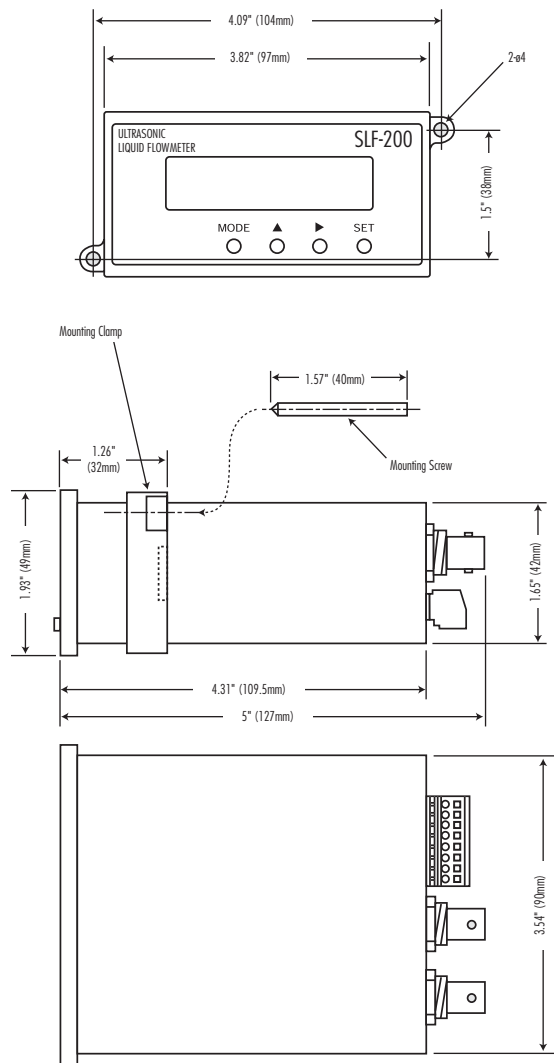
#### SLF-200

Includes Display/converter, sensors and cabling

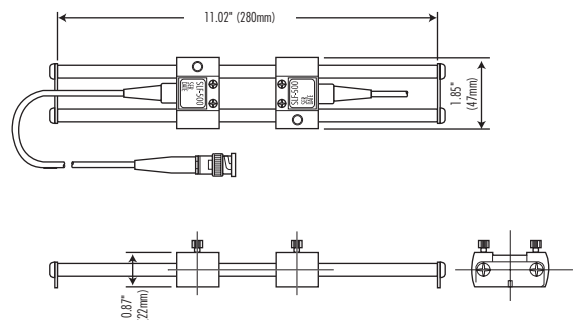
Specifications are for reference only and are subject to change without notice.

## Dimensions

### Converter



### Sensor



### Local Representative:



8930 S. Beck Avenue, Suite 107, Tempe, Arizona 85284 USA  
 Tel: (480) 240-3400 • Fax: (480) 240-3401 • Toll Free: 1-800-528-4225  
 E-mail: ftimarket@ftimeters.com • Web: www.ftimeters.com