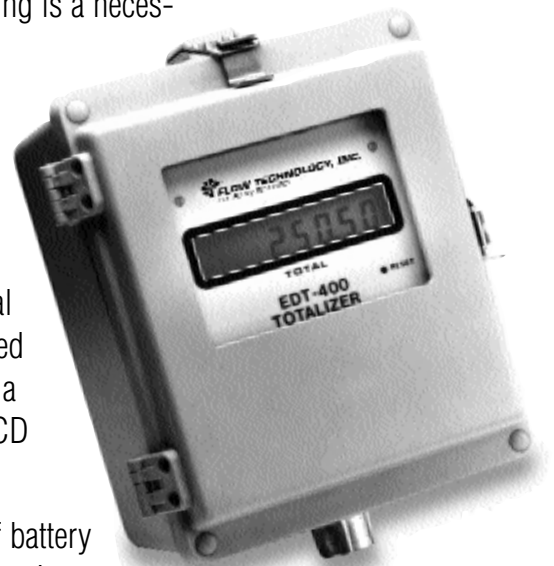


## FEATURES

- 10 Year Battery Power
- Direct Flowmeter Mounting
- Built-in Switch Selectable Scaling
- 8 Digit LCD Display
- Maintenance-Free Operation
- Weatherproof or Explosion-Proof Housings Available
- Internal Reset Switch

## DESCRIPTION

▶ The Flow Technology Model EDT-400 Totalizer is suitable for installation in areas where conventional line power is not easily accessible, but accurate record keeping is a necessity. It is intended to operate with flowmeters which have pulse output frequencies proportional to flow rate. The unit indicates the total volume in user-desired engineering units on a large, easy to read LCD display.



▶ Up to 10 years of battery power is provided by using a lithium or bromine cell which is replaceable on site. The totalizer may be reset by removing the front cover of the enclosure and depressing the reset switch located on the face plate.

▶ The EDT-400 is available in the standard NEMA 4X enclosure or optional explosion-proof housing.



phone: 1.800.528.4225  
(602) 437.1315

fax: (602) 437.4459

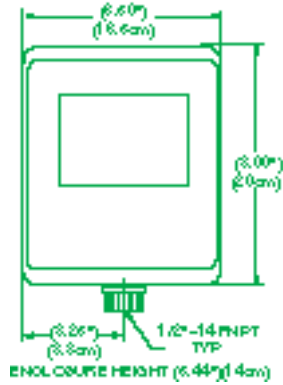
e-mail: [ftimarket@ftimeters.com](mailto:ftimarket@ftimeters.com)  
web site: [www.ftimeters.com](http://www.ftimeters.com)

4250 East Broadway Road  
Phoenix, Arizona 85040

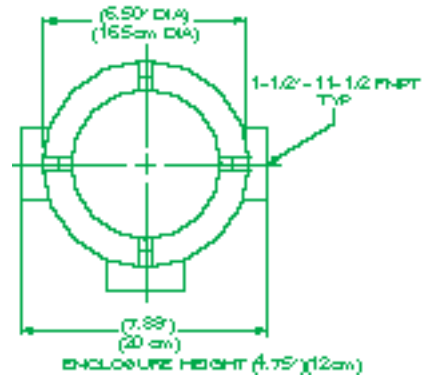
# SPECIFICATIONS

|                          |  |
|--------------------------|--|
| <b>Input Sensitivity</b> | 10 mV p-p  |
| <b>Display</b>           | LCD-8 Digit -0.5" (1.3 cm) high<br>4th place decimal point                                 |
| <b>Controls</b>          | Internal reset switch on unit face plate   |
| <b>Scaling Range</b>     | 2 to over 4,000,000  |
| <b>Power</b>             | Battery, Electrochem BCX72-3B75st or<br>equivalent (10 years at 23°C)                      |
| <b>Output</b>            | Scaled pulse, available only with<br>external power (+5V to +32 VDC)                       |
| <b>Temperature Range</b> | -20°C to +75°C operating<br>(-4°F to +167°F)<br>-40°C to +85°C storage<br>(-40°F to 185°F) |
| <b>Accuracy</b>          | ± 1 count  |
| <b>Enclosures</b>        | Weatherproof NEMA 4X<br>Explosion-proof Class I, Div. 1,<br>Group B or D                   |

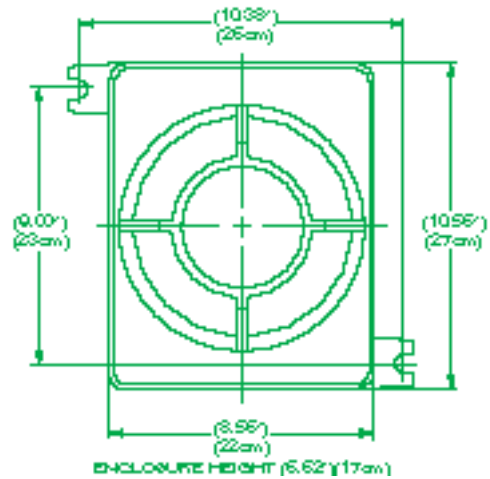
## ENCLOSURE OPTIONS



**W = Weatherproof  
NEMA 4X**

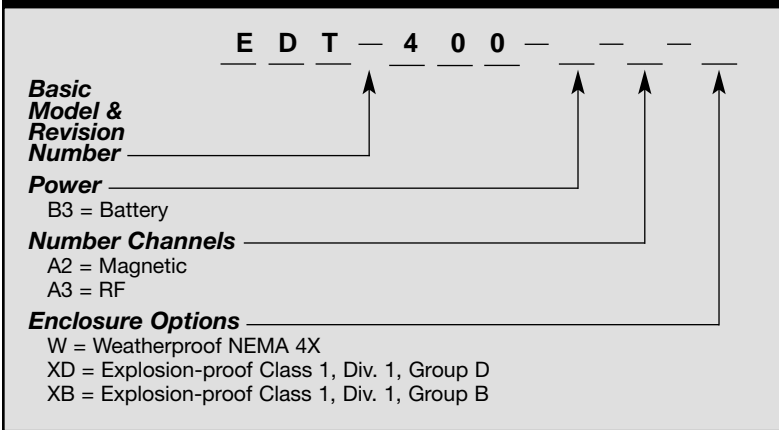


**XD = Explosion-proof  
Class I, Div. 1, Group D**



**XB = Explosion-proof  
Class I, Div. 1 Group B**

### MODEL NUMBERING SYSTEM



Specifications are for reference only and are subject to change without notice.