

# FC4000

## Remote Display Net Rate / Totalizer

### Description

The FC4000 Series Rate/Totalizer provides two levels of flow rate and total. Two pulse input channels enable the FC4000 to handle two independently scalable flows and display the net, difference or ratio rate and total in one unit. Independent five-digit floating decimal scale factors allow the FC4000 to display total count in engineering units and rate in units per second, minute, or hour. Two versions are available, one with an optional 4–20mA analog output and the other with a dimmable display.

### Features

- Display (A, B or C) rate and total flow
- Two 5-digit programmable scaling factors
- Dimmable LED option for bridge display
- Optional 4–20mA output
- Display difference, sum or ratio
- 12 VDC sensor excitation
- NEMA 4/IP 65 front panel

### Specifications

**Display** 6-digit, 0.55" high LED (dimmable)

**Input Power** 110 VAC ±15% or 11–15 VDC  
220 VAC ±15% or 11–15 VDC  
24 VDC 11–24 VDC

**Output Power (AC powered units only)** +12 VDC at 50mA, unregulated  
-10 +50%

**Maximum Current** 250 mA DC or 6.5 VA at rated AC voltage

**Control Inputs**  
3B High impedance DC open, or 0–1 VDC (low), 4–30 VDC (high), 10 K Ω imp, 9.99 kHz max with a 4.7 kW pull up resistor to +5 VDC and reset inputs for open collector drivers

**Analog Output (controller type 2 option only)**

4–20mA representing net rate or net total

**Temperature**

Operating 32° F to 130° F (0° C to 54° C)  
Storage -40° F to 200° F (-40° C to 93° C)

**Reset**

Front Button Resets display number or updates rate normalization  
Remote 4–30 VDC negative edge resets all counters

**Memory**

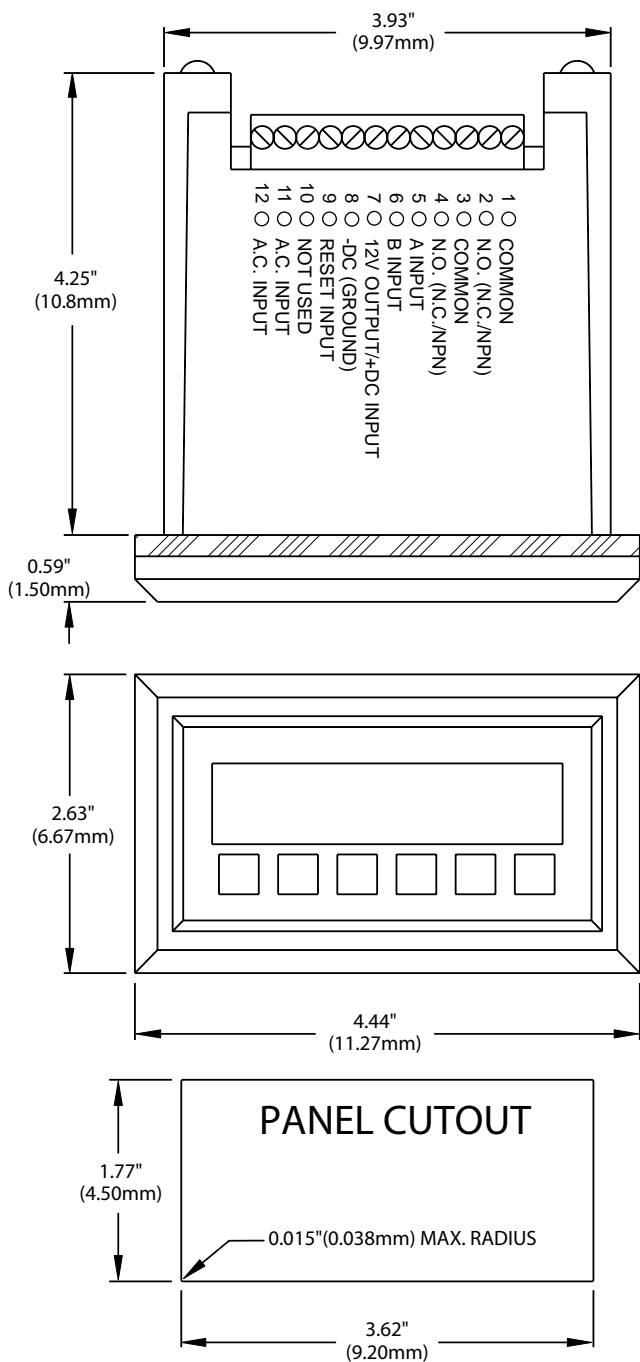
EEPROM stores data if power lost



### FC4000

Remote Display Net Rate/Totalizer

## Dimensions and Terminal Allocation



## Model Numbering System

F C 4 0 - [ ] [ ] [ ] [ ]

Base Model No. \_\_\_\_\_

Controller Type \_\_\_\_\_

- 1 = Dual rate/total without dimmable display (for use with 4–20mA option)\*
- 2 = Dual rate/total with dimmable display (4–20mA option N/A)\*

Operating Voltage \_\_\_\_\_

- A = 110 VAC ±15% or 11–15 VDC
- B = 220 VAC ±15% or 11–15 VDC
- D = 11–24 VDC\*

Control Inputs \_\_\_\_\_

- 3B = High impedance DC pulse 4–30 VDC with 4.7 k Ω pullup to +5 VDC on A, B, & reset inputs for open collector drivers\*

Output Options \_\_\_\_\_

- A = 4–20 mA analog output represents net rate (N/A with dimmable display/controller type 2)
- 0 = No output

\* Standard Configuration

## Enclosure Ordering

N E A 8 8 5 A B 3 - [ ]

Base Model No. \_\_\_\_\_

Enclosure Configuration \_\_\_\_\_

- Blank = No cutout
- 1 = For mounting 1 FC4000 display
- 2 = For mounting 2 FC4000 displays

Outside Dimensions: 7.40 x 7.40 x 5.20 in. (18.8 x 18.8 x 13.2 cm)

Local Representative:



4250 E. Broadway Road, Phoenix, Arizona 85040 USA  
 Tel: (602) 437-1315 • Fax: (602) 437-4459 • Toll Free: 1-800-528-4225  
 E-mail: ftimarket@ftimeters.com • Web: www.ftimeters.com