

# OCI-506-A

Preamplifier/Transmitter  
(Signal Conditioner)



## Description

The OCI-506-A is a 3-wire, pre-amplifier/transmitter (signal conditioner) that accepts the sine-wave signal from a magnetic pick-up sensor then amplifies and transmits the signal as a square-wave voltage pulse at the same frequency as the sine-wave. The OCI-506A is offered mounted in a UL-listed NEMA 7 conduit, or mounted in a NEMA 4X enclosure. It is also offered as a circuit card only, which can be installed in a local controller enclosure.

## Features

- 3-Wire, 9-30 VDC Output
- Field Sensitivity Adjustment

## Ordering

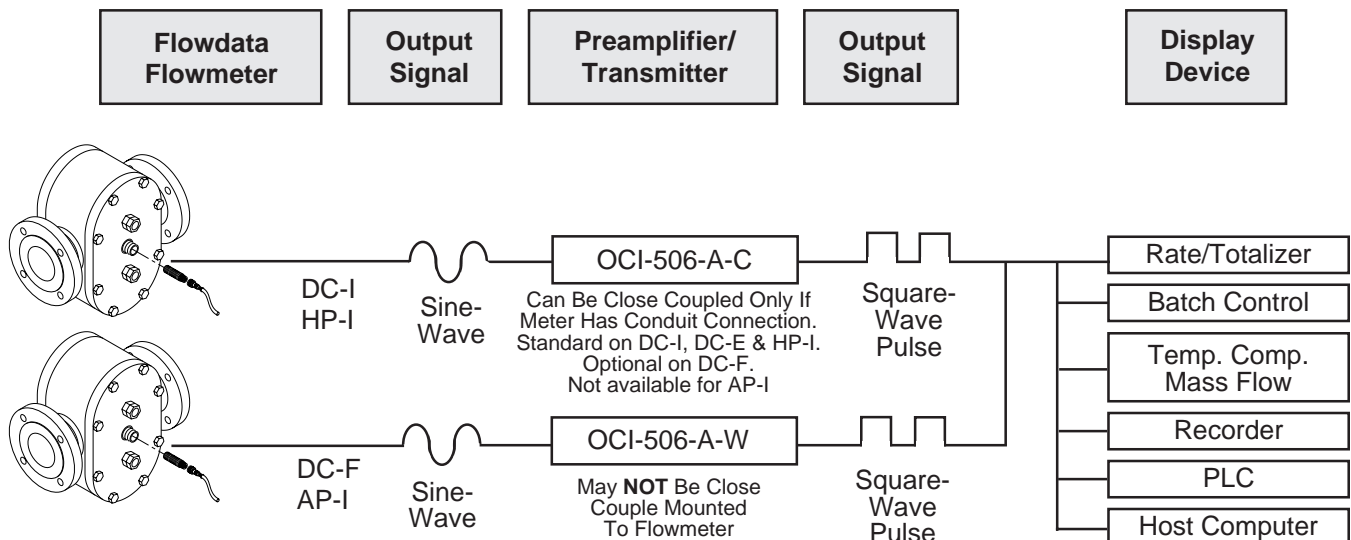
**Part Number — OCI-506-A-X**

**Enclosure - See Application —**

- C - Explosion-proof Condulet
- W - Water-proof Enclosure
- N - No Enclosure (OEM option or replacement only)



## Application



## Specifications

**Supply:** 9-30 VDC

**Input Amplitude:** 10 mV min./50 V max.

**Input Impedance:** 20K ohms

**Compensated Temperature Range:**

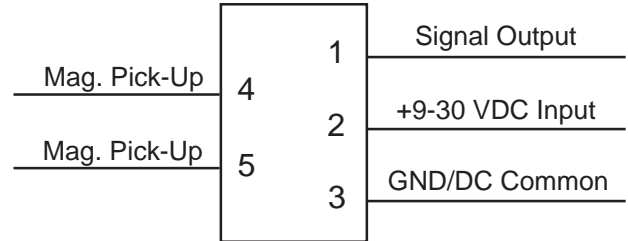
-20°F to 140°F (-29°C to 60°C)

**Signal Output:** (Square-Wave Pulse)

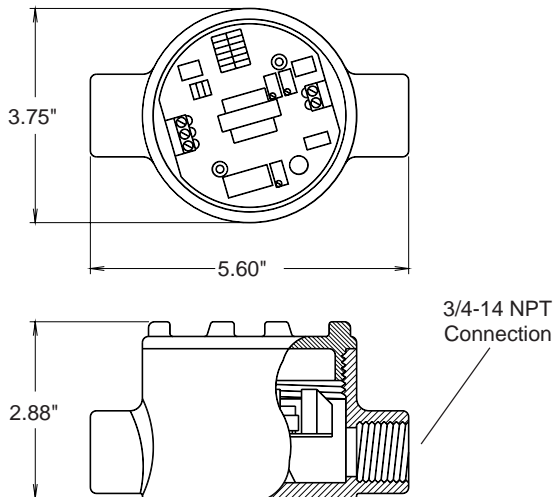
Supply Voltage "ON"/0.2 Volts "OFF"

## Installation

### OCI-506-A



## Enclosure Option



### Explosion-proof Condulet

NEMA Type 7

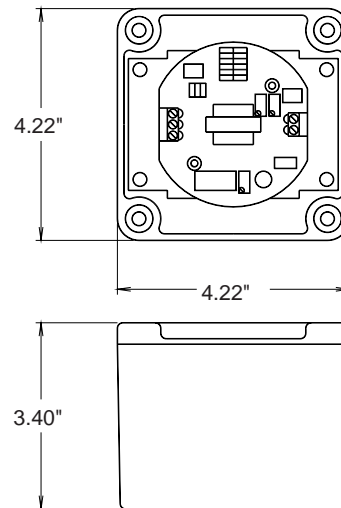
Class I, Groups B,C,D if compliant with NEC 501-4(a)(b)

Class II, Groups E,F,G if compliant with NEC 502-4(a)(b)

Class III

UL Standard 886

## Enclosure Option



### Water-proof Enclosure

NEMA Type 4, Type 4X, Type 12, and Type 13

## Limited Warranty

For a period of not less than one (1) year nor more than two (2) years from the original date of shipment. Seller warrants that the products described in this Warranty are free from defects in workmanship and materials only. For specific Warranty periods please refer to Seller's Warranty schedule. Seller shall not be liable for any special, incidental or consequential damages. This Warranty extends to the original purchaser of the product warranted hereunder and to each transferee owner of the product during the term of the Warranty. In the event of a defect, malfunction, or failure of the product not caused by any misuse or damage to the product while in possession of the owner, the warrantor will remedy the failure or defect, within a reasonable amount of time after written notification from the owner of same. The remedy will consist of repair or replacement of the product only, at the warrantor's option. The owner must return the defective or malfunctioning component part(s) to the factory for such repair or replacement. If this product or one of its component parts is modified in any way by the owner, transferee owner, his agent or employee, this Warranty shall become null and void.

## Local Representative:



1817 Firman Drive  
Richardson, TX 75081

Phone: (972) 907-2787

Fax: (972) 907-8016

Toll Free: (800) 833-2448

*See Our Business  
Center On The*

**WORLD WIDE WEB**

<http://www.flowdata.com>