

Sanitary Turbine Flowmeters

*Accurate, Versatile,
and Economical*

Description

Flow Technology's sanitary turbine flowmeters provide accuracy, versatility and economy in measuring a wide variety of food, beverage and pharmaceutical products. Flow Technology's more than 30 years experience enables the company to produce an extremely durable sanitary turbine flowmeter with a repeatability of $\pm 0.1\%$.

The SA Series Sanitary Turbine Flowmeters feature 316 stainless steel construction and have a smooth finish, which is designed to eliminate cracks and crevices where bacteria breed.

Standard flowmeters are available in sizes from 1/2" to 2" with sanitary clamps. Flow rates range from 0.1 to 250 gallons per minute (0.38 to 946 LPM).

Typical applications include measuring or batch controlling water, WFI, USP water, deionized water, vaccines, clean pharmaceuticals, milk, cream, vegetable oil, wine, beer, spirits, soft drinks, juices (without pulp) and any other clean, consumable liquid.



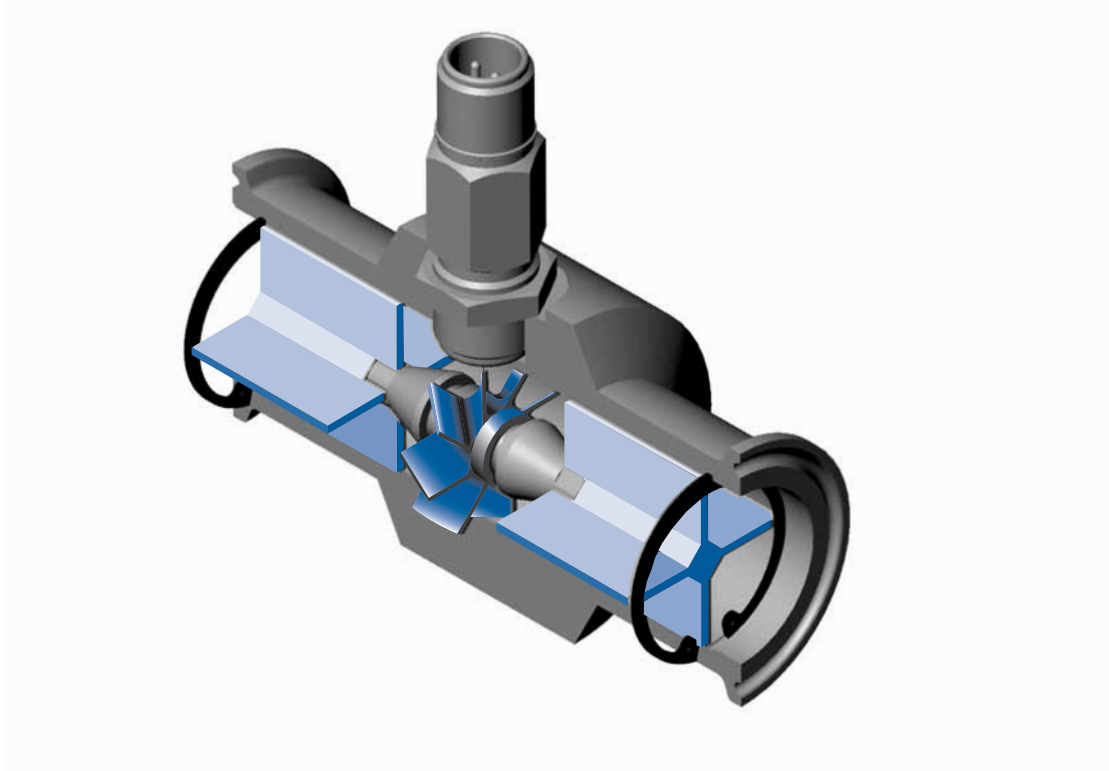
Sanitary Turbine Flowmeters
Stainless Steel Construction

Features

- Available in sizes from 1/2" to 2" with sanitary clamp
- Flow rates from 0.1 to 250 gallons per minute (GPM)
- Temperature ranges up to 350° F (177° C)
- 316 stainless steel construction
- Magnetic or modulated carrier (RF) pickoffs available
- Exceptional repeatability of $\pm 0.1\%$
- NIST traceable calibrations
- Withstands clean-in-place (CIP) and sterilize-in-place (SIP) processes
- Compatible with all Flow Technology electronics
- Ceramic bearings for long life

Flowmeter Cut-Away

SA-24



Specifications

| | |
|------------------------------|---|
| Repeatability | ±0.1% of reading |
| Linearity | ±0.5% of reading over the normal 10:1 flow range Note: SA4-8 is ±2% of reading |
| Maximum Particle Size | 100 microns |
| Response Time | 5–10 mS to step change |
| Pressure Drop | Less than 10 psi for max. flow in water |
| Max. Pressure | 250 psig/17.2 bar g |
| Max. Temperature | 350° F (177° C) |
| Frequency Range | 20–2000 Hz typical (depends on model) |

| | |
|------------------------|-------------------------|
| Sanitary Clamps | |
| T1 | 3/4" clamp/0.98" O.D. |
| T2 | 1-1/2" clamp/1.98" O.D. |
| T3 | 2" clamp/2.51" O.D. |

Tapered End Fittings

The I.D. of the Flow Technology sanitary meters are designed with a taper in the end fitting to provide a smooth transition from the meter bore to standard size mating tubing. The standard "Tapered to Line Size" is provided in the "Model Numbering System" chart.

| | |
|-------------------------|--|
| Pickoff Coil | |
| Magnetic | |
| Transmission distance: | 300 ft. (91 meters) without pre-amplifier |
| DC coil resistance: | 2275 ohms, nominal |
| Minimum output voltage: | 10 mV |
| Modulated Carrier | |
| Transmission distance: | 30 ft. (9 meters) maximum to carrier amplifier |
| DC coil resistance: | 12 ohms, nominal |

Pickoff Electronic Mating Connections

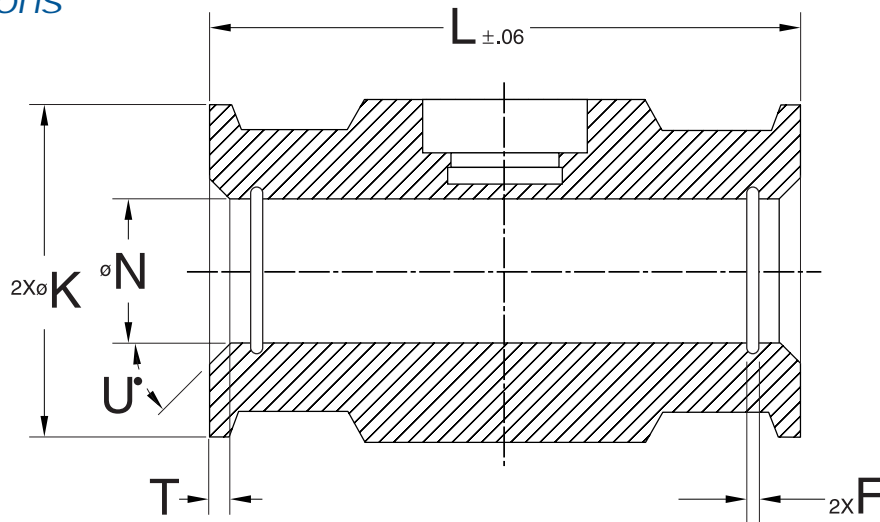
| | |
|---------------------------|--------------|
| MS Connector | |
| 2-pin, standard pickoff: | 15-89515-101 |
| 3-pin, amplified pickoff: | 15-89515-102 |

| | |
|--------------------------------|--------------|
| Threaded Connection with Leads | |
| Junction Box with Terminal: | 73-31836-105 |

| | |
|---------------------------|--|
| SIP Considerations | Dynamic steaming of 5 minutes or less is recommended for maximum life expectancy |
|---------------------------|--|

| | |
|-----------------------|-------|
| Surface Finish | |
| Bore | 25 Ra |
| Internals | 30 Ra |

Dimensions



Standard Configuration

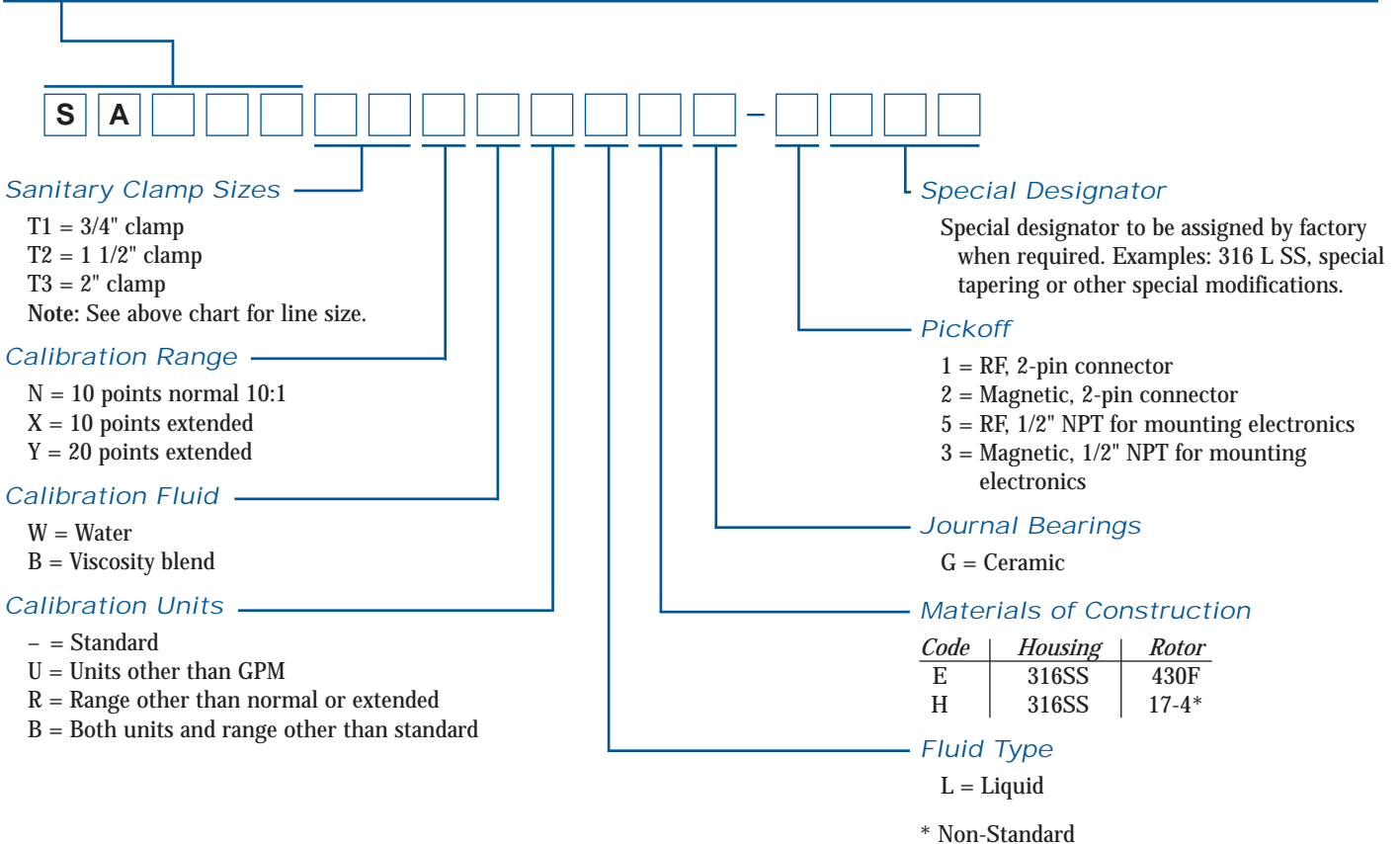
| | | | | | | | | | | |
|-------------------|-------|-------|-------|--------|--------|--------|--------|--------|--------|----|
| U | 45° | 45° | 45° | 45° | 50° | 45° | 50° | 45° | 45° | |
| T | .039 | .012 | .092 | .187 | .130 | .012 | .157 | .030 | .059 | |
| N | .036 | .009 | .089 | .184 | .127 | .009 | .154 | .027 | .056 | |
| K | Ø.302 | Ø.372 | Ø.442 | Ø.504 | Ø.565 | Ø.862 | Ø1.002 | Ø1.317 | Ø1.753 | |
| L | Ø.300 | Ø.370 | Ø.440 | Ø.502 | Ø.563 | Ø.860 | Ø1.000 | Ø1.315 | Ø1.751 | |
| F | 2.450 | 2.450 | 2.450 | 3.250 | 3.250 | 3.56 | 4.060 | 4.590 | 6.060 | |
| K | Ø.988 | Ø.988 | Ø.988 | Ø1.988 | Ø1.988 | Ø1.988 | Ø1.988 | Ø1.988 | Ø2.520 | |
| F | Ø.980 | Ø.980 | Ø.980 | Ø1.980 | Ø1.980 | Ø1.980 | Ø1.980 | Ø1.980 | Ø2.512 | |
| F | .037 | .037 | .037 | .035 | .035 | .045 | .049 | .052 | .072 | |
| F | .035 | .035 | .035 | .030 | .030 | .037 | .044 | .048 | .068 | |
| Used On | SA4-8 | SA6-8 | SA-08 | SA-10 | SA-12 | SA-16 | SA-20 | SA-24 | SA-332 | |
| Line Size | .5" | | .75" | | 1" | | | 1.5" | | 2" |
| Clamp Size | .75" | | | 1.5" | | | | | 2" | |
| Code | T1 | | | T2 | | | | | T3 | |

Optional Configuration

| | | | | | | | | | |
|-------------------|-------|-------|--------|--------|--------|--------|--------|--------|--|
| U | 45° | 45° | 60° | 60° | 60° | 60° | 60° | 60° | |
| T | .030 | .030 | .166 | .144 | .126 | .150 | .110 | .163 | |
| N | .026 | .026 | .163 | .141 | .134 | .147 | .107 | .160 | |
| K | Ø.504 | Ø.565 | Ø.302 | Ø.372 | Ø.442 | Ø.862 | Ø1.002 | Ø1.317 | |
| L | Ø.502 | Ø.563 | Ø.300 | Ø.370 | Ø.440 | Ø.860 | Ø1.000 | Ø1.315 | |
| F | 3.25 | 3.25 | 2.450 | 2.450 | 2.450 | 3.56 | 4.06 | 4.59 | |
| K | Ø.988 | Ø.988 | Ø1.988 | Ø1.988 | Ø1.988 | Ø2.520 | Ø2.520 | Ø2.520 | |
| F | Ø.980 | Ø.980 | Ø1.980 | Ø1.980 | Ø1.980 | Ø2.512 | Ø2.512 | Ø2.512 | |
| F | .035 | .035 | .037 | .037 | .037 | .045 | .049 | .052 | |
| F | .030 | .030 | .035 | .035 | .035 | .037 | .044 | .048 | |
| Used On | SA-10 | SA-12 | SA4-8 | SA6-8 | SA-08 | SA-16 | SA-20 | SA-24 | |
| Line Size | .75" | | 1" | | | 2" | | | |
| Clamp Size | .75" | | 1.5" | | | 2" | | | |
| Code | T1 | | T2 | | | T3 | | | |

Model Numbering System

| Basic Model No. | Clamp | | Tapered to Line Size | Meter I.D. In. | Normal 10:1 Size Flow Range | | | | Extended Flow Range | | | | Nominal Max Freq. |
|-----------------|-----------|-----------|----------------------|----------------|-----------------------------|------------|----------------|----------|---------------------|----------------|--------------------|--|-------------------|
| | Standard | Optional | | | GPM MIN MAX | | LPM MIN MAX | | RF GPM LPM | MAG GPM LPM | All MAX GPM LPM | | Hz |
| SA4-8 | T1 = .75" | T2 = 1.5" | .5" 1.0" | 0.30 0.30 | .25 2.50 | .95 9.50 | .10 .38 | .12 .45 | 3 11 | 2000 | | | |
| SA6-8 | T1 = .75" | T2 = 1.5" | .5" 1.0" | 0.37 0.37 | .50 5.00 | 1.90 19.00 | .15 .57 | .20 .76 | 5 19 | 2100 | | | |
| SA-08 | T1 = .75" | T2 = 1.5" | .75" 1.0" | 0.44 0.44 | 1.00 10.00 | 3.80 38.00 | .25 .95 | .3 1.1 | 10 38 | 2000 | | | |
| SA-10 | T2 = 1.5" | T1 = .75" | 1.0" .75" | 0.50 0.50 | 1.25 12.50 | 4.70 47.0 | .30 1.10 | .4 1.5 | 15 57 | 2000 | | | |
| SA-12 | T2 = 1.5" | T1 = .75" | 1.0" .75" | 0.56 0.56 | 2 20 | 7.60 76.0 | .50 1.90 | .5 1.9 | 25 95 | 2000 | | | |
| SA-16 | T2 = 1.5" | T3 = 2.0" | 1.0" 2.0" | 0.86 0.86 | 5 50 | 19 190 | 1.0 3.8 | 1.0 3.8 | 60 227 | 2000 | | | |
| SA-20 | T2 = 1.5" | T3 = 2.0" | 1.5" 2.0" | 1.00 1.00 | 9 90 | 34 340 | 1.0 3.8 | 1.5 5.7 | 100 380 | 1950 | | | |
| SA-24 | T2 = 1.5" | T3 = 2.0" | 1.5" 2.0" | 1.32 1.32 | 15 150 | 57 570 | 1.6 6.1 | 2.5 9.5 | 160 606 | 1500 | | | |
| SA-32 | T3 = 2.0" | - | 2.0" | 1.75 | 22 225 | 83 830 | 2.5 9.5 | 3.5 13.2 | 250 946 | 1300 | | | |



Specifications are for reference only and are subject to change without notice.

Local Representative:



8930 S. Beck Ave., Ste 107, Tempe, Arizona 85284 USA
 Tel: (480) 240-3400 • Fax: (480) 240-3401 • Toll Free: 1-800-528-4225
 E-mail: ftimarket@ftimeters.com • Web: www.ftimeters.com

DB 62046 Rev E © 2004 FTI Flow Technology, Inc. Printed in USA