

QCT Series

In line Liquid Ultrasonic Flow Meter

Description

The QCT Series in line ultrasonic flow meter has been specifically designed for applications that require excellent accuracy & reliability at an economical price point. The compact QCT Series has no moving parts, non-wetted sensors and there is nothing in the flow stream that will cause an increase in pressure drop; this results in a very rugged, reliable and accurate flow meter. High accuracy & repeatability is achieved through the unique measurement section within the flow meter where the flow is conditioned and delta T is measured along the axis of the flow meter. The small footprint, lightweight device is ideal for low viscosity liquid applications including water based products, oils, and its all plastic construction makes it the meter of choice for many corrosive fluids.

The QCT Series flow meter bases its operation on measuring the time difference of an ultrasonic wave traveling with and against the flowing medium. The time difference is directly proportional to the fluid's flow rate. Temperature is measured via an RTD embedded into the flow meter body.

Features

- High accuracy
- No moving parts
- Compact & lightweight design
- Low pressure drop
- All plastic construction



Specifications

Accuracy	
Calibrated	±0.5% of reading plus zero stability ¹
Uncalibrated ²	±2% of reading ³
Zero stability	±0.05% of full scale
Repeatability	±0.2% over 10:1 turndown
Turndown	100:1
Nominal Line Sizes	1/8", 1/4", 1/2", 1"
Materials of Construction	
Meter Body	Carbon filled nylon
Temperature	Class A RTD
Temperature Range	-10°C to 80°C (14°F to 176°F)
Max Pressure	up to 275 psi (19 bar)
End connection	NPT, Hose barb, DIN 11864-1
Rating	Designed to IP 66
Power	9-30 VDC ⁴
Outputs	
Analog	4-20mA
Scaled frequency	10 to 5000 Hz
Communications	Modbus RTU over EIA485
Baud Rate	115200, 57600, 38400, 19200, 9600 bps

1. Calibrated conditions are defined as water at ~25°C. Standard calibrated range is 20:1.

2. Calibration sold separately. Standard meter uncalibrated.

3. Typical, over 10:1 range with single point inline adjustment.

4. 24-30 VDC power required if using analog output.



QCT Series

Ordering Information

QCT		—		A	A	0
-----	--	---	--	---	---	---

Size	Code
1/8"	013
1/4"	025
1/2"	050
1"	100

Fitting	Code
NPT	2
Hose barb	3
DIN 11864-1	4

Cable

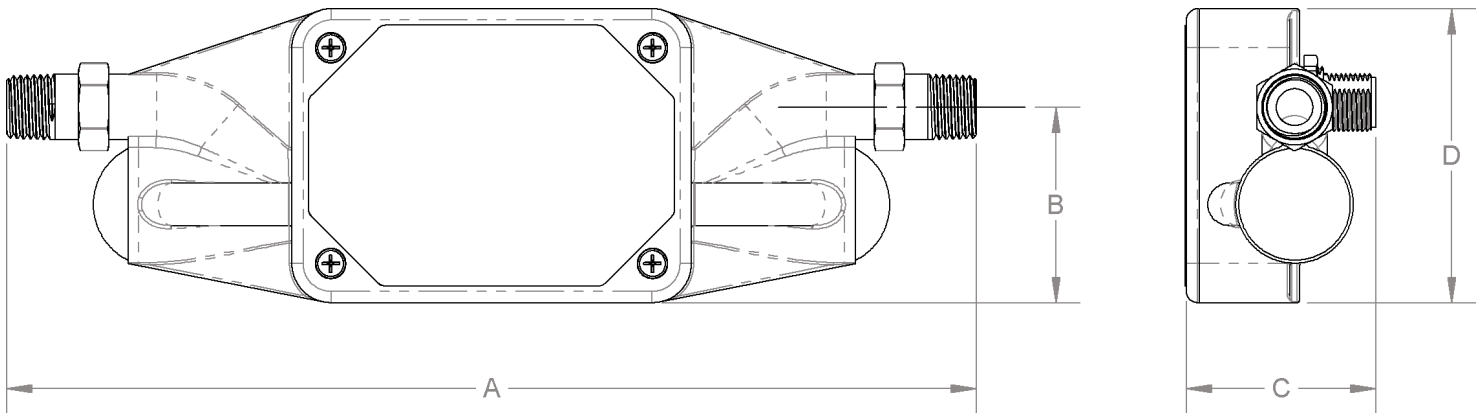
19-102374-101 Connector to flying leads cable, 5 meters

Wiring

Pin #	Function	Wire Color
1	Current Output (+)	Yellow
2	Power (9-32VDC)	Red
3	Factory Use	Green
4	EIA-485 A	Blue
5	EIA-485 B	White
6	Frequency Output	Orange
7	Current Output (-)	Brown
8	Power Return	Black

See technical manual for detailed wiring instructions.

Dimensions



Calibration

90-103048-101 15 pts in water over 20:1, 3 pt verification
 90-103048-102 20 pts in water over 50:1, 3 pt verification

*Base unit shipped without calibration. Must order separately.
 *Uncalibrated accuracy $\pm 2\%$ reading, typical, over 10:1 range with single point inline adjustment.

Flow Rate & Pressure Drop

Line Size	Min Flow (gpm)	Max Flow (gpm)	Pressure Drop as % of Full Scale Flow			
			10% (psi)	25% (psi)	50% (psi)	100% (psi)
1/8"	0.035	3.5	0.24	2.11	12.10	37.7
1/4"	0.07	7.0	0.09	0.84	3.72	15.6
1/2"	0.20	20	0.01	0.16	0.75	3.26
1"	0.70	70	0.01	0.21	0.79	3.92

Dimensions

Meter Size	Fitting	Dim A (in)	Dim B (in)	Dim C (in)	Dim D (in)
1/8" (013)	1/4" -18 NPT	8.0	1.6	1.6	2.4
	1/4" Hose Barb				
	DN 10				
1/4" (025)	1/4" -18 NPT	8.0	1.6	1.6	2.4
	1/4" Hose Barb				
	DN 10				
1/2" (050)	1/2" -14 NPT	8.0	1.6	1.5	2.4
	1/2" Hose Barb	8.5			
	DN 15	8.0			
1" (100)	1" -11 1/2 NPT	10.0	1.6	2.0	2.5
	1" Hose Barb		1.9		
	DN 25		2.0		



8930 S. Beck Avenue, Suite 107, Tempe, Arizona 85284 USA
 Tel: (480) 240-3400 • Fax: (480) 240-3401 • Toll Free: 1-800-528-4225
 E-mail: ftimarket@ftimeters.com • Web: www.ftimeters.com

